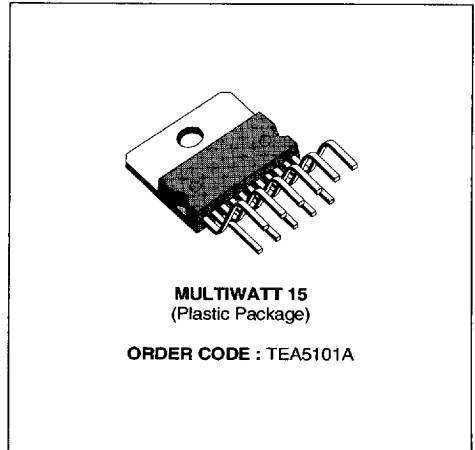


RGB HIGH VOLTAGE VIDEO AMPLIFIER

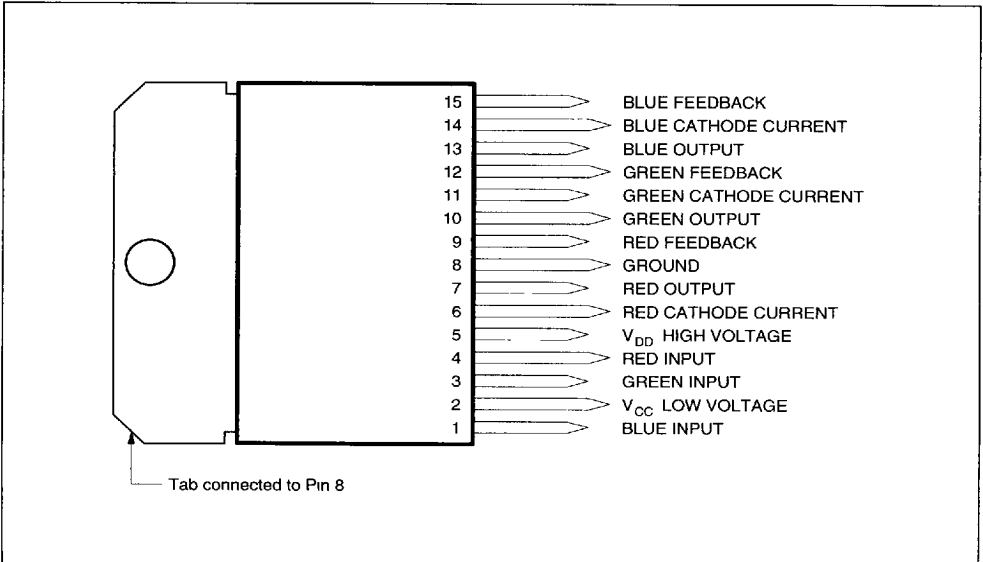
- BANDWIDTH : 10MHz TYPICAL
- RISE AND FALL TIME : 50ns TYPICAL
- CRT CATHODES CURRENT OUTPUTS FOR PARALLEL OR SEQUENTIAL CUT-OFF OR DRIVE ADJUSTMENT
- FLASHOVER PROTECTION
- POWER DISSIPATION : 3.5W
- ESD PROTECTED

DESCRIPTION

The TEA5101A includes three video amplifiers designed with a high voltage DMOS/bipolar technology. It drives directly the three CRT cathodes. The device is protected against flashovers. Due to its three cathode current outputs, the TEA5101A can be used with both parallel and sequential sampling applications.



PIN CONNECTIONS (top view)



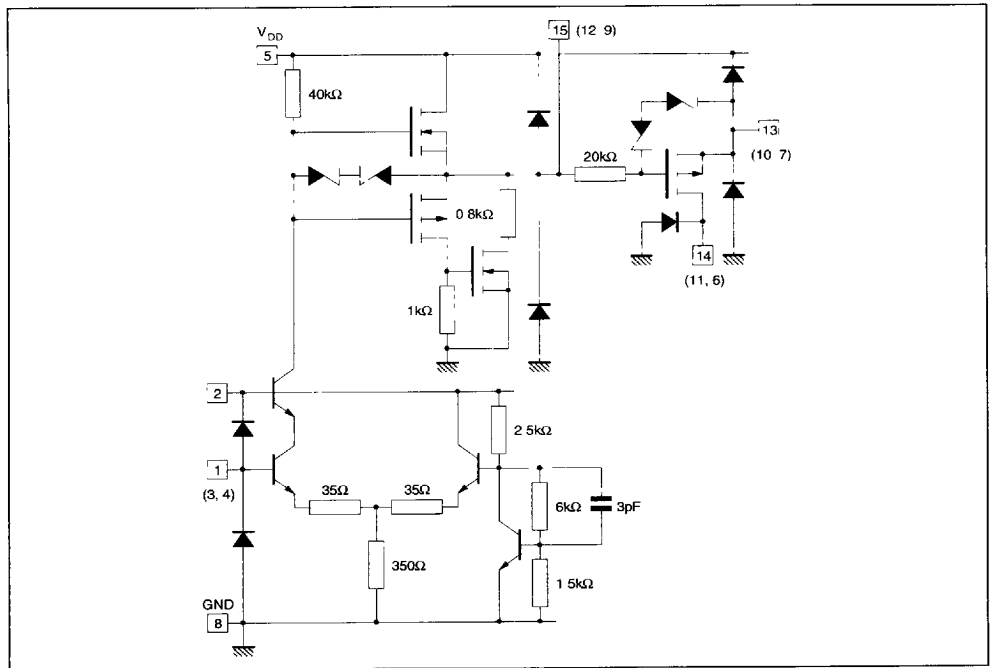
5101A-01 EFS

PIN FUNCTION

N°	Function	Description
1	Blue Input	Input of the "blue" amplifier. It is a virtual ground with 3.8 V bias voltage, 15 microamperes input bias current with 14kΩ input resistance
2	V _{CC}	Low voltage power supply, typically 12V
3	Green Input	See pin 1.
4	Red Input	See pin 1.
5	V _{DD}	High voltage power supply, typically 200V
6	Red Cathode Current	Provides the video processor with a copy of the DC current flowing into the red cathode, for automatic cut-off or gain adjustment. If this control is not used, pin 6 must be grounded
7	Red Output	Output driving the red cathode. Pin 7 is internally protected against CRT arc discharges by a diode limiting the output voltage to V _{DD}
8	Ground	Also connected to the heat sink.
9	Red Feedback	Output driving the feedback resistor network for the red amplifier.
10	Green Output	See pin 7.
11	Green Cathode Current	See pin 6.
12	Green Feedback	See pin 9.
13	Blue Output	See pin 7.
14	Blue Cathode Current	See pin 6.
15	Blue Feedback	See pin 9.

5101A-01 TB

BLOCK DIAGRAM OF EACH CHANNEL



5101A-02 EPS

ABSOLUTE MAXIMUM RATINGS

Symbol	Parameter		Value	Unit
V _{DD}	Supply High Voltage	Pin 5	250	V
V _{CC}	Supply Low Voltage	Pin 2	35	V
I _O I _o	Output Current to V _{DD} to Ground	Pins 7 - 10 - 13	Protected 8	mA
I _F I _f	Output Current to V _{DD} to Ground	Pins 9 - 12 - 15		
I _J	Input Current	Pins 1 - 3 - 4	60	mA
T _J	Junction Temperature		150	°C
T _{oper}	Operating Ambient Temperature		0 to 70	°C
T _{stg}	Storage Temperature		- 55 to + 150	°C

5101A 03 TBL

THERMAL DATA

Symbol	Parameter		Value	Unit
R _{th(j-c)}	Maximum Junction Case Thermal Resistance	Max.	3	°C/W
R _{th(j-a)}	Typical Junction Ambient Thermal Resistance	Typ.	35	°C/W

5101A 03 TBL

ELECTRICAL CHARACTERISTICS

T_{amb} = 25°C ; V_{CC} = 12V ; V_{DD} = 200V ; AV = 50 (unless otherwise specified)

Symbol	Parameter		Min.	Typ.	Max.	Unit
V _{DD}	High Supply Voltage	Pin 5		200	220	V
V _{CC}	Low Supply Voltage	Pin 2	10	12	15	V
I _{DD}	High Voltage Supply Internal DC Current (V _{out} 100V) (without the current due to the feedback network)	Pin 5		8	12	mA
I _{CC}	Low Voltage Supply DC Current	Pin 2	19	33	47	mA
V _{sath}	Output Saturation Voltage (High level) I _O = - 10 μA	Pins 7-10-13		3	10	V
R _{ON}	Output Mos Transistor (Low level) R _{ON} @ I _O = 3 mA	Pins 7-10-13		1.7		kΩ
BW	Bandwidth (- 3db) (measured on CRT cathodes) (C _{LOAD} : 10pF - R Protect = 1kΩ - V _{out} = 100V) Δ V _{out} : 50 V _{PP} Δ V _{out} : 100 V _{PP}			10 8		MHz MHz
T _R - T _F	Rise Time and Fall Time measured between 10% and 90% of output pulse (C _{LOAD} : 10 pF - R Protect = 1 kΩ - V _{out} = 100 V) Δ V _{out} : 100 V _{PP}			50		ns
G _O	Open Loop Gain		47	50		dB
P	Internal Power Dissipation (see calculation below)			3.5		W
V _{REF}	Internal Voltage Reference	Pins 1-3-4	3.55	3.8	4.05	V
	Internal Reference Voltage Difference Between 2 Channels				5	%
	Voltage Reference Temperature Coefficient			- 5		mV/°C
I _{IB}	Input Bias Current (V _{out} : 100 V)	Pins 1-3-4		15		μA
R _I	Input Resistance			14		kΩ

5101A 04 TBL

7929237 0058594 758

3/5

417

APPLICATION INFORMATION**PC BOARD LAYOUT**

The best performances of the high voltage video amplifier will be obtained only with a carefully designed PC board. Output to input capacitances are of particular importance.

For a single amplifier, the input-output capacitance, in parallel with the relatively high feedback resistance, creates a pole in the closed-loop transfer function. A low parasitic capacitance (0.3pF) feedback resistor and HF isolated printed wires are necessary. Further more, capacitive coupling from the output of an amplifier toward the input of another one may induce excessive crosstalk.

POWER DISSIPATION

The power dissipation consists of a static part and a dynamic part. The static dissipation varies with the output voltage. With $V_{DD} = 200V$, $P_{stat} = 2.6W$ typ (3.5W max) at $V_{OUT} = 100V$, 1.5W typ at 150V and 3W typ at 50V (with R feedback = 39k Ω).

V_{OUT} first value (100V) will be the reference.

The dynamic dissipation depends on the signal spectrum and the load capacitance.

- Dynamic power with a typical picture with 150 V_{pp} modulation is typically 1W.
- For a sine wave, dynamic dissipation per amplifier is $P_d = F \times C_l \times V_{opp} \times V_{dd} \times 0.8$.

The load capacitance C_L includes CRT and board capacitance (10pF), and amplifier output capacitance (8pF) : total C_L value is about 20pF. For a 5MHZ, 50 V_{pp} sine wave and a 20pF load capacitance, the maximum dynamic power is 2.5W.

- Generally, the maximum dynamic power is reached with a white noise (tuner noise).
- Typical value is about 2W.

Total dissipation is typically 3.6W (2.6W + 1W). With a maximum static dissipation of 3.5W, total dissipation is :

- 4.5W with a typical picture (UER pattern)
- 5.5W with white noise